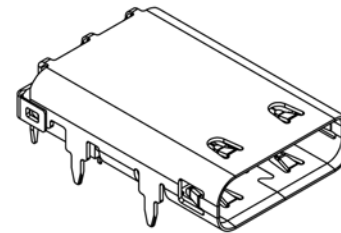
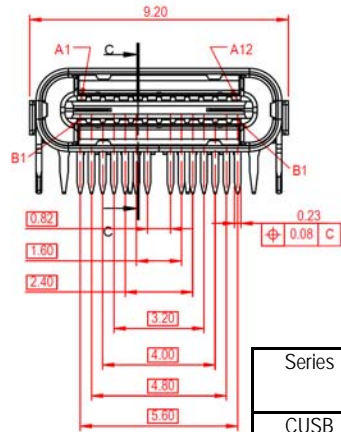
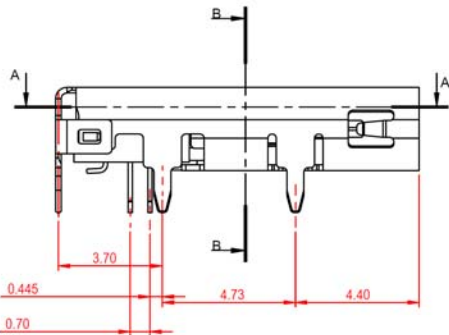


△ Recommended PCB LAYOUT
TOLERANCE ±0.05
PCB Thickness = 1.00mm

SPECIFICATIONS

Operating Voltage: 5V
Current Rating: 3 Amps
Insulation Resistance: 100 Mohms min @ 100VDC
Material: Thermoplastic, Black
Contact: Brass
Shell: Steel
Underplate: 80u"~160u" Nickel
Contact Area: 30u" Pd-Ni+2u Selective Gold
Solder Tail: 100u"~200u" Tin
Withstanding: 100 VAC / minute
Mating Cycles: 10000 insertions
Temp Range: -25C to +105C



RoHS compliant

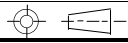
Series	Type	Style	Ports/Gender/Cont/Mount	Shell Plating	Contact Plating	Color
CUSB	A	CS317	1F24RT	N	PNG	BK
USB Connector	Type C 3.1	See Drawing	Single Port Female 24 Contacts, R/A, Through Hole Mount	Nickel	Pd + Ni + 2μAu	Black

Rev.	Description	Date	Approved	Drawing	Name	Date
				Approved	Howard	03/27/15
				Checked	Lizzy	03/27/15
				Drawn	Tina	03/27/15
				0.0 ± 0.35	0.00 ± 0.20	Angles ± 3'

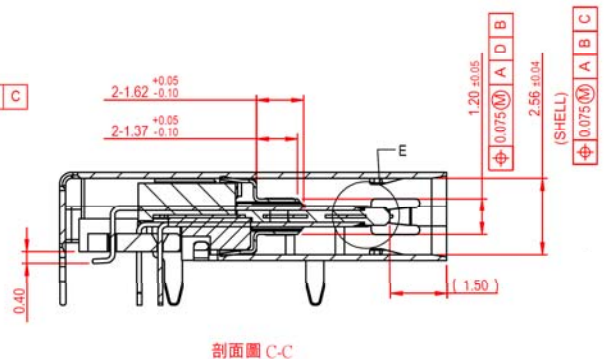
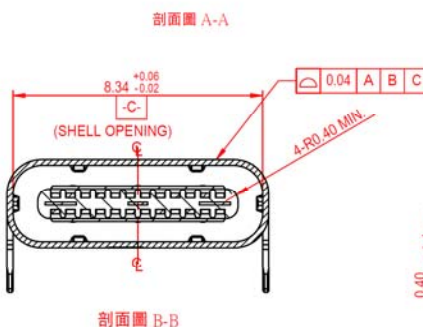
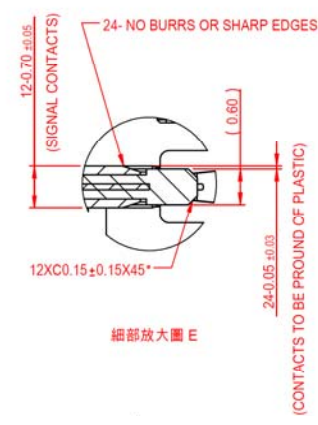
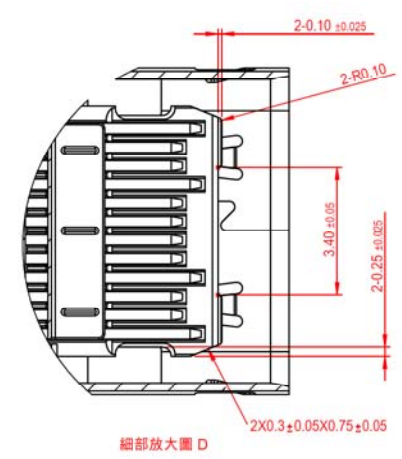
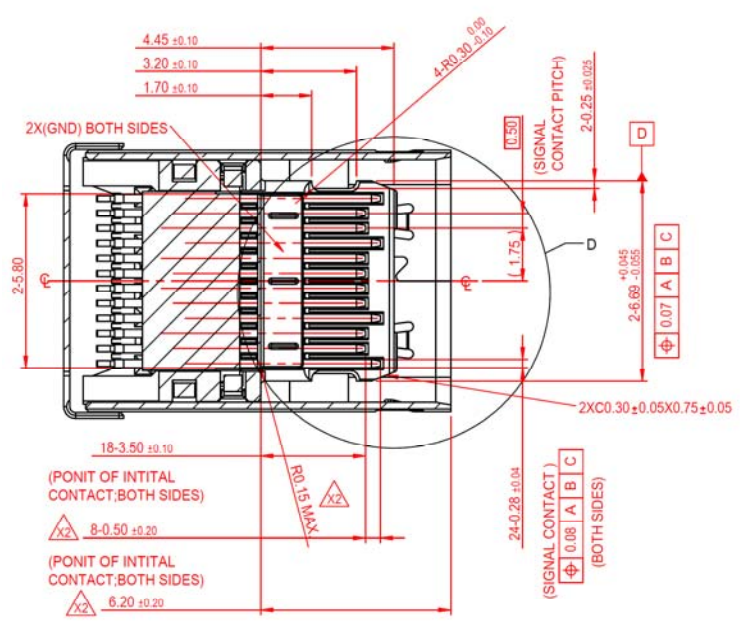
Central Components Manufacturing
440 Lincoln Blvd., Middlesex, New Jersey 08846
Phone 732 469-5720 888 288-5152 Fax 732 469-1919

Part No.: **CUSB-C-CT317-1F24T-L-N-PNG-BK**

Description: USB 3.1 C Receptacle



UNIT: mm

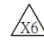


Rev.	Description	Date	Approved	Drawing	Name	Date
				Approved	Howard	03/27/15
				Checked	Lizzy	03/27/15
				Drawn	Tina	03/27/15
				0.0 ± 0.35	0.00 ± 0.20	Angles ± 3'
						UNIT: mm


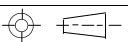
Central Components Manufacturing
 440 Lincoln Blvd., Middlesex, New Jersey 08846
 Phone 732 469-5720 888 288-5152 Fax 732 469-1919

Part No.: CUSB-C-CT317-1F24T-L-N-PNG-BK

Description: USB 3.1 C Receptacle

 USB TYPE -C Pin Assignments

Pin Number	Signal Name	Pin Number	Signal Name
A1	GND	B12	GND
A2	SSTXp1	B11	SSTXp1
A3	SSTXn1	B10	SSTXn1
A4	V _{BUS}	B9	V _{BUS}
A5	CC1	B8	SBU2
A6	Dp1	B7	Dn2
A7	Dn1	B6	Dp2
A8	SBU1	B5	CC2
A9	V _{BUS}	B4	V _{BUS}
A10	SSTXn2	B3	SSTXn2
A11	SSTXp2	B2	SSTXp2
A12	GND	B1	GND

Rev.	Description	Date	Approved	Drawing	Name	Date	 Central Components Manufacturing 440 Lincoln Blvd., Middlesex, New Jersey 08846 Phone 732 469-5720 888 288-5152 Fax 732 469-1919	
				Approved	Howard	03/27/15		
				Checked	Lizzy	03/27/15		
				Drawn	Tina	03/27/15		
				0.0 ± 0.35 0.00 ± 0.20 Angles ± 3°  UNIT: mm			Part No.: CUSB-C-CT317-1F24T-L-N-PNG-BK Description: USB 3.1 C Receptacle	